



DESCRIPTION

The SPA is a miniature pressure switch with a high quality snap action micro switch. It is suitable for pneumatic, water, and any low pressure hydraulic applications. The switch is field adjustable with an allen screw and now features an optional IP67 rating for any of our flying lead options (CA and CS). Lead free brass is available for special application requirements.

FEATURES

- Low pressure switch
- Factory set or field adjustable
- Compact size
- Cost effective

APPLICATIONS

- Pneumatic system control
- Low pressure filter monitoring
- Car washes
- Gate control

* UL available for certain models

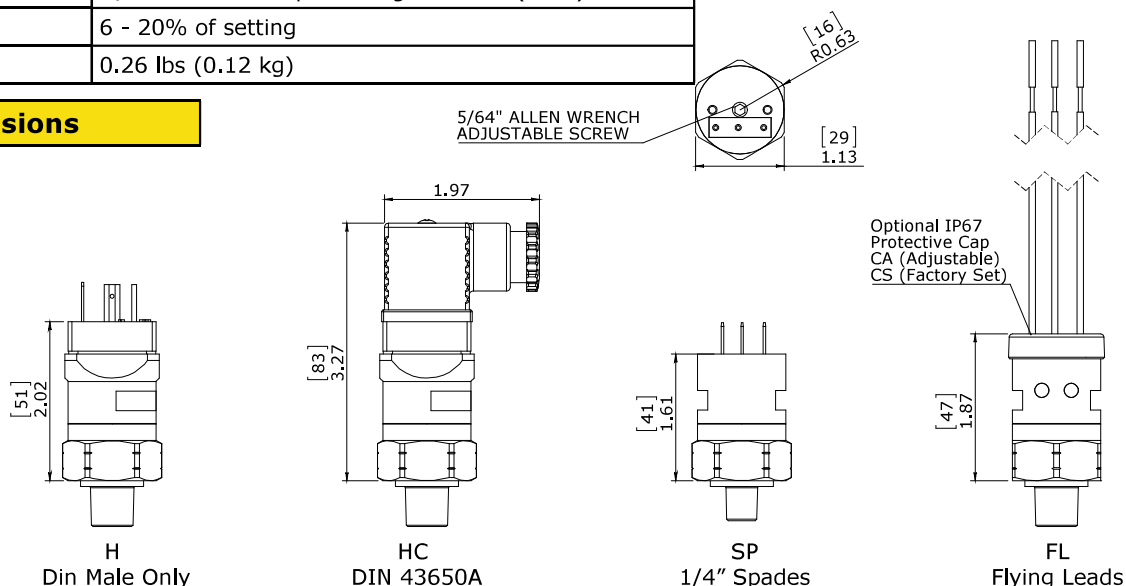
Specifications

Electrical	5A [12/24 VDC, 125 VAC] or 3A [250 VAC] Optional: 10A or Gold Contact
Switch Type	Snap Action
Protection	DIN 43650A - IP65, Terminals - IP00, CA/CS - IP67
Temperature Range	-20°F to 180°F (-29°C to 82°C) Nitrile
Mechanical Range	1,000,000 Cycles @ 75 PSI (5.2 BAR)
Diaphragm Material	Standard: Nitrile Optional: Viton, EPDM, HNBR
Housing Material	Brass (Optional Stainless Steel)
Maximum Overpressure	350 PSI (24 BAR)
Repeatability	+/- 2% of full set point range at 20°C (68°F)
Differential	6 - 20% of setting
Weight	0.26 lbs (0.12 kg)

Pressure Range

Model	Adjustment Range	
	PSI	BAR
1	3 - 7	0.2 - 0.5
2	5 - 30	0.3 - 2.1
3	25 - 150	1.7 - 10

Dimensions



Wiring Code

CONTACT	FLYING LEADS	DIN 43650 TYPE	FLWF / FLWM		FLDR / FLDP	
			FLCM / FLCF / FLPM / FLPF			
			SPDT MODEL	SPST MODEL	SPDT MODEL	SPST MODEL
COMMON	BLACK	PIN 1	PIN A	PIN A	PIN A	PIN 1
NORMALLY CLOSED	BLUE	PIN 2	PIN C	PIN B	PIN C	PIN 2
NORMALLY OPEN	RED	PIN 3	PIN B	PIN B	PIN B	PIN 2

Ordering Information

Field Adjustable

SPA - ¹2 - ²2M - ³C - ⁴HC - ^{5 (Optional)}1

Factory Preset

SPF - ¹30F - ²2M - ³C - ⁴HC - ^{5 (Optional)}1

1 - Pressure Selection:

Field Adjustable - Select Model Code

Model	Adjustment Range	
	PSI	BAR
1	3 - 7	0.2 - 0.5
2	5 - 30	0.3 - 2.1
3	25 - 150	1.7 - 10

Insert set point value XXX followed by: R, F, BR, or BF

Set Point	Direction	Description
XXXX	R	PSI Rising Pressure
	F	PSI Falling Pressure
	BR	BAR Rising Pressure
	BF	BAR Falling Pressure

OR

2 - Thread Options:

- 2M - 1/8 NPT male
- 4M - 1/4 NPT male
- 2G - 1/8 BSPP male, G1/8
- 4G - 1/4 BSPP male, G1/4
- 4S - 7/16-20 SAE male, with O-ring seal
- 6S - 9/16-18 SAE male, with O-ring seal

3 - Circuit:

- A - SPST (Normally Open)
- B - SPST (Normally Closed)
- C - SPDT (Single Pole Double Throw : Normally Open and Normally Closed)

4 - Electrical Termination:

- HC - DIN 43650A - connector type (only available in SPDT option)
- HN - DIN 43650A 1/2" NPT Conduit (only available in SPDT option)
- FL - Flying Lead 18" long, 18 AWG
- FLWF - Flying Lead Weatherpack connector, female, Tower, 10" long leads
- FLWM - Flying Lead Weatherpack connector, male, Shroud, 10" long leads
- FLDP - Flying Lead Deutsch connector, plug, 10" long leads
- FLDR - Flying Lead Deutsch connector, receptacle, 10" long leads
- FLCM - Flying Lead Metripack, male, 150 series, 10" long leads
- FLCF - Flying Lead Metripack, female, 150 series, 10" long leads
- FLPM - Flying Lead Metripack, male, 280 series, 10" long leads
- FLPF - Flying Lead Metripack, female, 280 series, 10" long leads
- SP - 1/4" Spade

5 - Options (Omit if not required):

- 1 - Viton® Diaphragm
- 2 - EPDM Diaphragm
- 3 - 316 Stainless Steel Housing
- 4 - HNBR Diaphragm
- 6 - Lead Free Brass
- 7 - Gold Contact, Snap Action Microswitch @ 20 mA/12 VDC (minimum set point 5 psi)
- 8 - 10 amp, Snap Action Microswitch @ 10(2) 125 VAC (inductive), 6(2) 250 VAC (inductive) (minimum set point 5 psi)
- 20 - Seal Adjustment Screw
- OC - Oxygen Cleaned Switches
- SR - Snubber
- CA - IP67 rated protective cover with a removable plug (For adjustable switches, SPA flying lead model)
- CS - IP67 rated protective cover (For factory set switches, SPF flying lead model)



Note: Please see page 52 for other available options